

# CCS Technical Documentation

## RH-9 Series Transceivers

# Accessories

**Table of Contents**

	Page No
BLC-2 Standard Battery.....	5
Product codes .....	5
Specifications .....	5
ACP-7 Standard Charger .....	6
Product codes .....	6
Specifications .....	6
ACP-8 Travel Charger .....	7
Product codes .....	7
Specifications .....	7
ACP-12 Travel Charger .....	8
Product codes .....	8
Specifications .....	8
LCH-9 Mobile Charger.....	9
Product codes .....	9
Specifications .....	9
DCV-10 Desktop Stand .....	10
Product codes .....	10
Specifications .....	10
DDC-1 Battery Charging Stand.....	11
Product codes .....	11
Specifications .....	11
CARK134 Full Car Kit .....	12
Specifications .....	12
Sales Packages: Eur/Afr and APAC .....	12
Sales Packages: Americas .....	13
MBC-6 Mobile Holder.....	14
Product codes .....	14
Specifications .....	14
PPH-1 Plug-in HF Car Kit .....	15
Product codes .....	15
Specifications .....	15
HFM-8 Microphone .....	16
Product codes .....	16
Specifications .....	16
HDR-1 Music Player.....	17
Product codes .....	18
Specifications .....	18
HDC-5 Headset .....	19
Product codes .....	19
Specifications .....	19
HDE-2 Headset .....	20
Product code .....	20
Specifications .....	20
HDD-1 Dual Headset.....	21
Product codes .....	21
Specifications .....	21
HDC-10 Retractable Headset.....	22

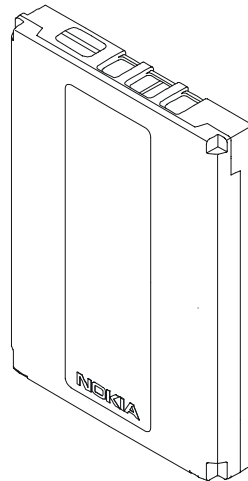
Product codes .....	22
Specifications .....	22
LPS-3 Mobile Inductive Loopset.....	23
Product codes .....	23
Specifications .....	23
Covers .....	24

## List of Figures

Fig 1	View of the BLC-2 Standard Battery .....	5
Fig 2	View of the ACP-7 Standard Charger .....	6
Fig 3	View of the ACTP-8 Travel Charger .....	7
Fig 4	View of the ACP-12 Travel Charger.....	8
Fig 5	View of the LCH-9 Mobile Charger .....	9
Fig 6	View of the DCV-10 Desktop Stand.....	10
Fig 7	View of the DDC-1 Battery Charging Stand.....	11
Fig 8	View of the CARK134 Full Car Kit.....	12
Fig 9	View of the MBC Mobile Holder and swivel mount HHS-9.....	14
Fig 10	View of the PPH-1 Plug-in HF Car Kit.....	15
Fig 11	View of the HFM-8 Microphone.....	16
Fig 12	View of the HDR-1 Music Player .....	17
Fig 13	View of the HDC-5 Headset.....	19
Fig 14	View of the HDE-2 Headset.....	20
Fig 15	View of the HDD-1 Dual Headset.....	21
Fig 16	View of the HDC-10 Retractable Headset .....	22
Fig 17	View of the LPS-3 Mobile Inductive Loopset .....	23

## BLC-2 Standard Battery

Figure 1: View of the BLC-2 Standard Battery



### Product codes

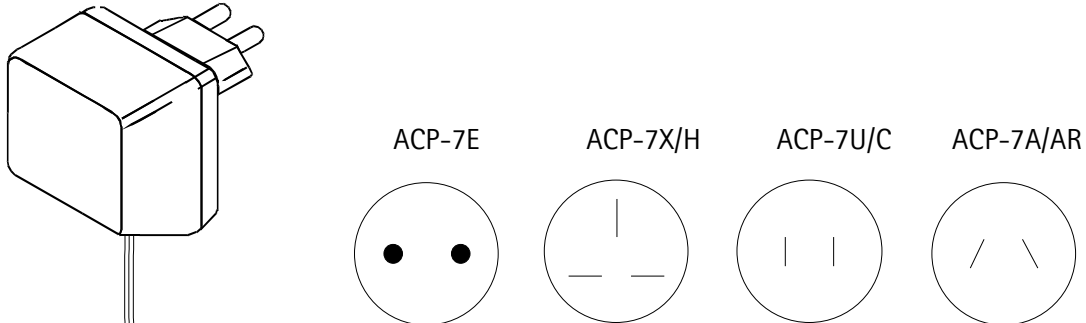
Product code (Eur/Afr & APAC type label):	0670403
Product code(French type label):	0670402
Product code (Chinese type label):	0670401
Product code (Americas type label):	0670343
Product code (Nokia do Brasil type label):	0670348
Product code (Gradiente type label):	0670347

### Specifications

Dimensions (H x W x D):	53 x 38.3 x 7.1 mm
Max. thickness after 500 cycles:	7.65 mm
Nominal weight:	approx. 27.5 g
Nominal voltage:	3.6 V
Color:	Off-white
Operating temperature:	- 10° ... + 40° C
Recommended temperature usage range:	+ 15°... + 25° C (in User Guide)

## ACP-7 Standard Charger

Figure 2: View of the ACP-7 Standard Charger



### Product codes

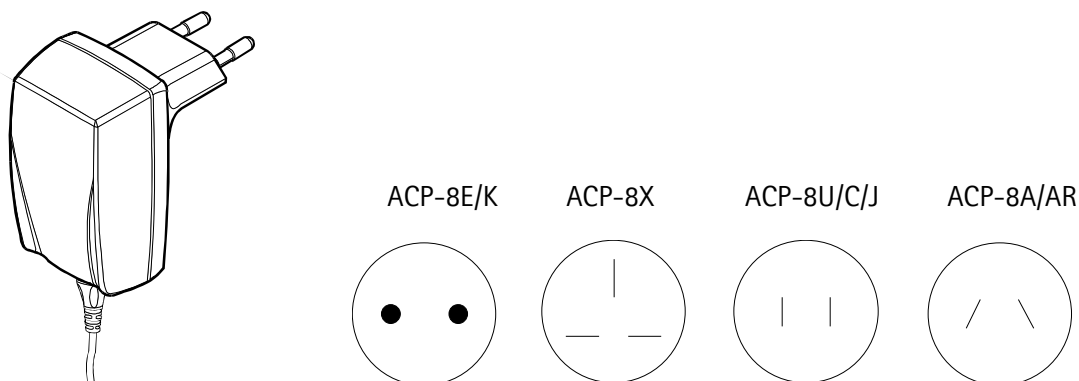
Product code, ACP-7U (Made in country):	0675143
Product code, ACP-7U (Made by "manufacturer"):	0675172
Product code, ACP-7E (Made in country):	0675144
Product code, ACP-7E (Made by "manufacturer"):	0675171
Product code, ACP-7X (Made in country):	0675145
Product code, ACP-7X (Made by "manufacturer"):	0675173
Product code, ACP-7H:	0675146
Product code, ACP-7C:	0675212
Product code, ACP-7C (Philippines ONLY):	0675158
Product code, ACP-7A:	0675148
Product code, ACP-7AR:	0675244

### Specifications

Dimensions (H x W x D):	38 x 47 x 53 mm
Weight:	187 g
Length of cable:	2000 mm $\pm$ 10%
Input voltage: ACP-7U (US)	120 V AC, 60 Hz
ACP-7E (Europe) and ACP-7X (UK)	230 V AC, 50 Hz
ACP-7A (Australia)	240 V AC, 50 Hz
ACP-7C (China)	220 V AC, 50 Hz
ACP-7H (Hong Kong)	200 V AC, 50 Hz
ACP-7AR (Argentina)	220 V AC, 50 Hz
Output voltage:	7.6 $\pm$ 0.35 V
Charging time:	Refer to battery specifications

## ACP-8 Travel Charger

Figure 3: View of the ACP-8 Travel Charger



### Product codes

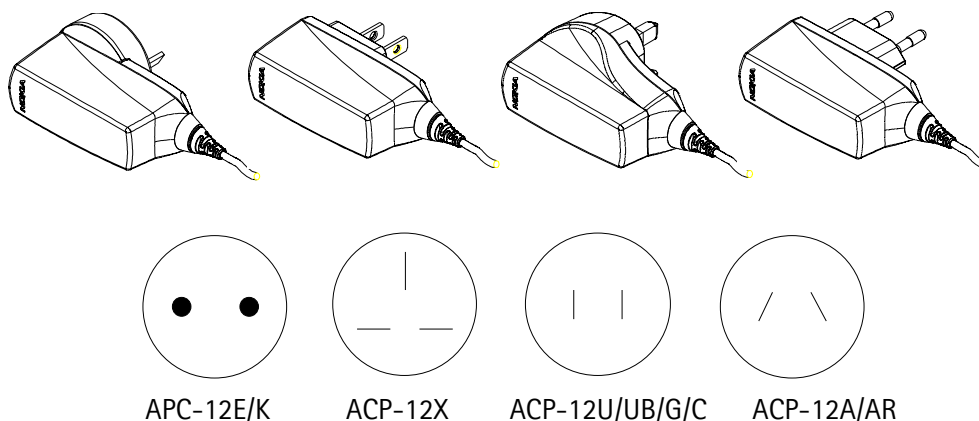
Product code, ACP-8E:	0675195
Product code, ACP-8U:	0675196
Product code, ACP-8U (Made by "manufacturer"):	0675269
Product code, ACP-8X:	0675197
Product code, ACP-8J:	0675198
Product code, ACP-8K:	0675199
Product code, ACP-8A:	0675214
Product code, ACP-8C:	0675211
Product code, ACP-8UB:	0675236
Product code, ACP-8G:	0675237
Product code, ACP-8AR:	0675248

### Specifications

Dimensions, ACP-8E/K (H x W x D):	70 x 40 x 73 mm
Dimensions, ACP-8U/C/G/UB (H x W x D):	70 x 40 x 56 mm
Dimensions, ACP-8X (H x W x D):	72 x 50 x 64 mm
Dimensions, ACP-8A/AR (H x W x D):	74 x 43 x 61 mm
Weight:	75 + 35 (cable) g
Length of cable:	1800 mm ± 50 mm
Color:	Warm Black
Input voltage:	90 to 264 V AC, 50/60 Hz
Output voltage:	6.0 +0.3 V / -0.7 V
Charging times:	Refer to battery specifications
Operating temperature:	- 5° ... + 45° C

## ACP-12 Travel Charger

Figure 4: View of the ACP-12 Travel Charger



### Product codes

Product code, ACP-12E:	0675294
Product code, ACP-12X:	0675296
Product code, ACP-12U:	0675303
Product code, ACP-12UB:	0675293
Product code, ACP-12G:	0675295
Product code, ACP-12C:	0675297
Product code, ACP-12A:	0675300
Product code, ACP-12AR:	0675298

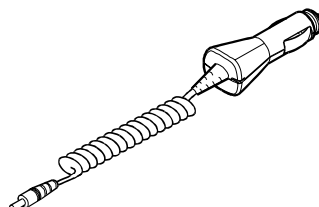
### Specifications

Dimensions (H x W x D):	28x75x70mm (E), 50x75x60 (X)
Weight:	~ 85g
Length of cable:	1800mm +/-50mm
Colour:	Warm black
Cable Management:	Velcro type
Input voltage:	90 - 264V AC 50/60Hz
Output voltage	5,7VDC, 800mA
Standby power consumption:	<300mW
Operating temperature:	- 25° ... + 55° C



## LCH-9 Mobile Charger

Figure 5: View of the LCH-9 Mobile Charger



### Product codes

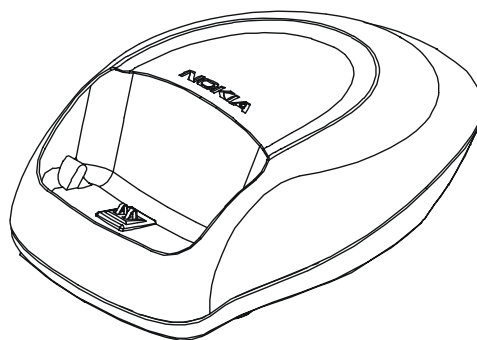
Product code (English type label):	0675120
Product code (Chinese type label):	0675239
Product code (made by manufacturer):	0675170

### Specifications

Dimensions (H x W x D):	29 x 35 x 94 mm
Weight:	97 g
Length of cable:	Coiled 0.3 m $\pm$ 10% (Uncoiled 3 m $\pm$ 10%)
Input voltage:	10.8 to 32 V DC
Output voltage:	7.8 $\pm$ 1 V
Charging time:	Refer to battery specifications

## DCV-10 Desktop Stand

Figure 6: View of the DCV-10 Desktop Stand



### Product codes

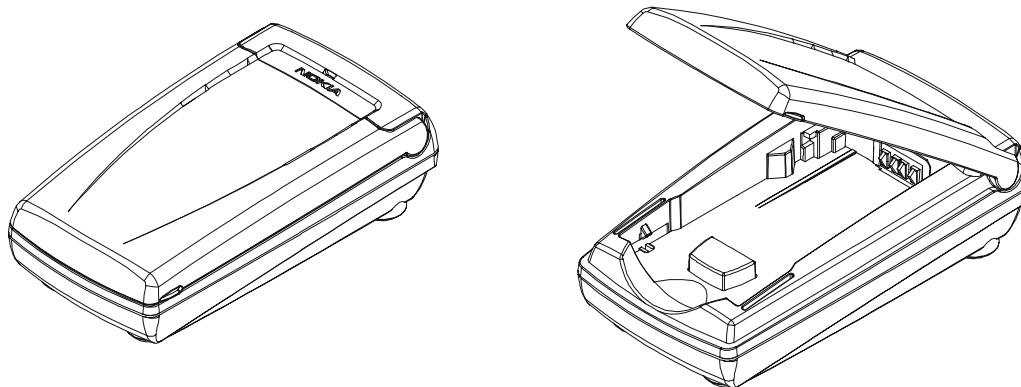
Product code (English type label):	0675229
Product code (Chinese type label):	0675249
Product code (without Nokia logo – only for OEM use!):	0675250

### Specifications

Dimensions (H x W x D):	36 x 68 x 102 mm
Weight:	40 g
Color:	Warm Black
Input voltage:	Refer to charger specifications
Output voltage:	Refer to charger specifications
Charging times:	Refer to battery specifications
Operating temperature:	0° ... + 55° C

## DDC-1 Battery Charging Stand

Figure 7: View of the DDC-1 Battery Charging Stand



### Product codes

Product code (Made in China):	0675243
Product code (Chinese type label):	0675255
Product code (Made in Hong Kong):	0675261
Product code (Gradiente type label):	0675271

### Specifications

Dimensions (H x W x D):	31 x 62 x 105.5 mm
Weight:	97 g
Color:	Jet Black
Input voltage:	Refer to charger specifications
Output voltage:	Refer to charger specifications
Operating temperature:	0° ... + 55° C

## CARK134 Full Car Kit

Figure 8: View of the CARK134 Full Car Kit



### Specifications

Input voltage:	10.8 - 16V DC
Current consumption:	max 2A DC
Speaker output:	max 4.5 W/ 8 Ω
Length of power cable:	4000 mm
Color:	Main color black

### Sales Packages: Eur/Afr and APAC

Item	NMP Type	NMP Code	Remarks
Sales package for Eur/Afr, APAC.	CARK134	0085201	English type label
Mobile Holder	MCC-7	0650052	Holder supporting charging and external antenna via coupler
Swivel Mount	HHS-9	0620037	
HandsFree Unit	HFU-5	0694091	
Mounting Plate	MKU-1	0620036	Includes screws and Nokia logo plate
Microphone	HFM-8	0690016	
External HF Speaker	HFS-12	0692009	
Power cable	PCH-4J	0730055	

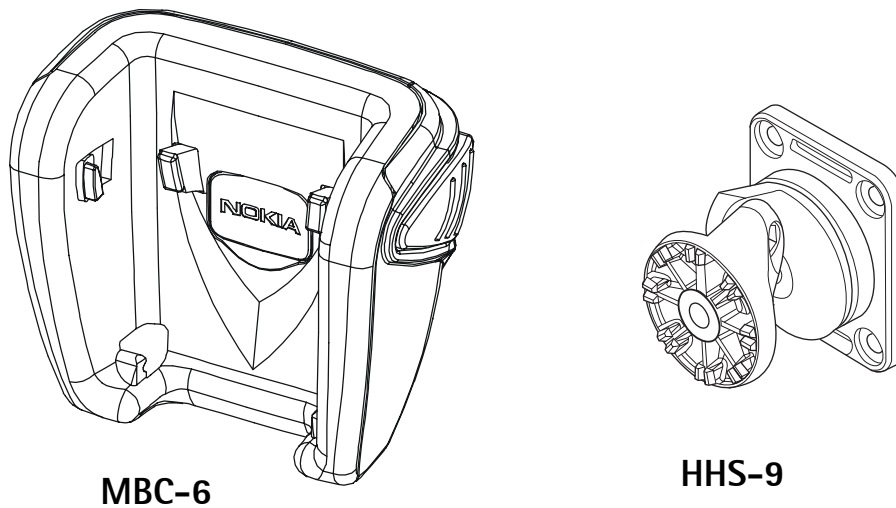
**Sales Packages: Americas**

Item	NMP Type	NMP Code	Remarks
Sales package for Americas	CARK134	0080641	
Advanced Active Car Holder	MCC-7	0650052	
Swivel mount	HHS-9	0620037	
Mounting plate	MKU-1	0620036	
Handsfree Unit	HFU-5	0694091	
External Handsfree Speaker	HFS-12	0692009	
Microphone	HFM-8	0690016	
Power Cable	PCH-4J	0730055	

## MBC-6 Mobile Holder

Easy to be attached to the dashboard via mounting plate MKU-1 or swivel mount HHS-9

Figure 9: View of the MBC Mobile Holder and swivel mount HHS-9



### Product codes

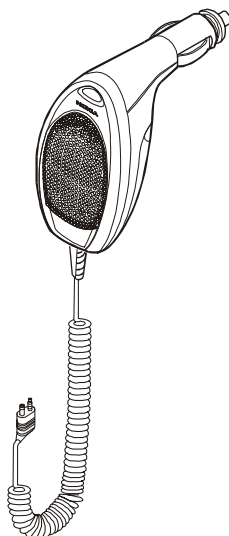
Product code, MBC-6 (English type label):	0650026
Product code, MBC-6 (Chinese type label):	0620056
Product code, HHS-9:	0620037

### Specifications

Dimensions (H x W x D):	70 x 75 x 43 mm
Weight:	50 g
Operating temperature:	-25° ... + 55° C

## PPH-1 Plug-in HF Car Kit

Figure 10: View of the PPH-1 Plug-in HF Car Kit



### Product codes

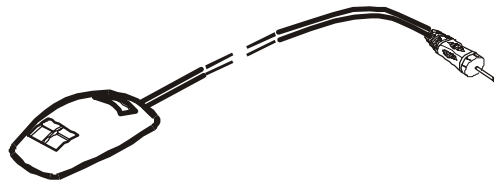
Product code (English type label):	0675182
Product code (Portuguese type label):	0675246

### Specifications

Dimensions (H x W x D):	97 x 60 x 117 mm
Weight:	160 g
Length of cable:	Coiled 0.3 m ± 10% (Uncoiled 3 m ± 10%)
Input voltage:	11-16 V
Output voltage:	7.5 V
Charging times:	Refer to battery specifications
Operating temperature:	- 25° ... + 55° C

## HFM-8 Microphone

Figure 11: View of the HFM-8 Microphone



### Product codes

Product code:	0690016
---------------	---------

### Specifications

Length of cable:	3000 mm
Operating temperature:	- 25° ... + 55° C



## HDR-1 Music Player

Figure 12: View of the HDR-1 Music Player



Fig. 1



Fig. 2



Fig. 3

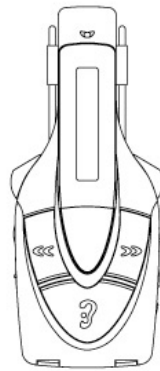


Fig. 4

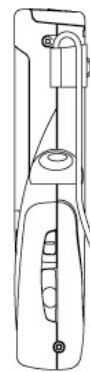


Fig. 5

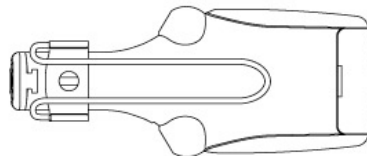


Fig. 6

## Product codes

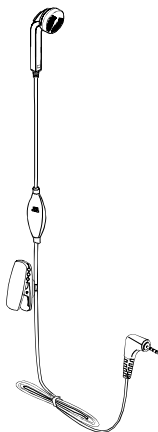
Sales box code (outbox, English type label)	0273128
Product code, HDR-1, (Bulk, English type label): Includes all sales box content	0694104
Product code, player	0694101
Product code, cables:	0730225
Product code, Memory Card:	0750178

## Specifications

Dimensions (H x W x D):	93 x 37 x 18 mm ~vol.45cc
Weight:	40 g without battery, 50 g with battery
Length of cable:	700 mm + 600 mm (headphone)
Color:	Light Blue, Silver
Nokia audio manager languages:	
Phase 1:	English, French, German, Spanish, Italian
Phase 2:	Dutch, Danish, Finnish, Norwegian, Swedish Portuguese, Turkish, Polish, Czech, Hungarian, Greek, Russian, Ukrainian, Indonesian, Chinese (traditional), Chinese (simplified), Malaysian, Tagalog
Music formats:	AAC and MP3
Power source:	1X AAA primary standard battery
Operation time (with one AAA battery):	5 h
Memory Card:	MMC, 32 MB and 64 MB
Operating temperature:	0° ... + 55° C

## HDC-5 Headset

Figure 13: View of the HDC-5 Headset



### Product codes

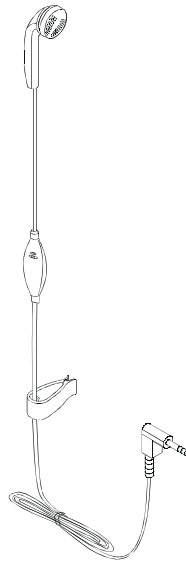
Product code, HDC-5 (English type label):	0694059
Product code, HDC-5 (Chinese type label):	0694072
Product code, HDC-5B (without Nokia logo –only for OEM use!):	0694065

### Specifications

Weight:	15 g
Length of cable:	1350 ± 50 mm
Operating temperature:	- 25° ... + 55° C

## HDE-2 Headset

Figure 14: View of the HDE-2 Headset



### Product code

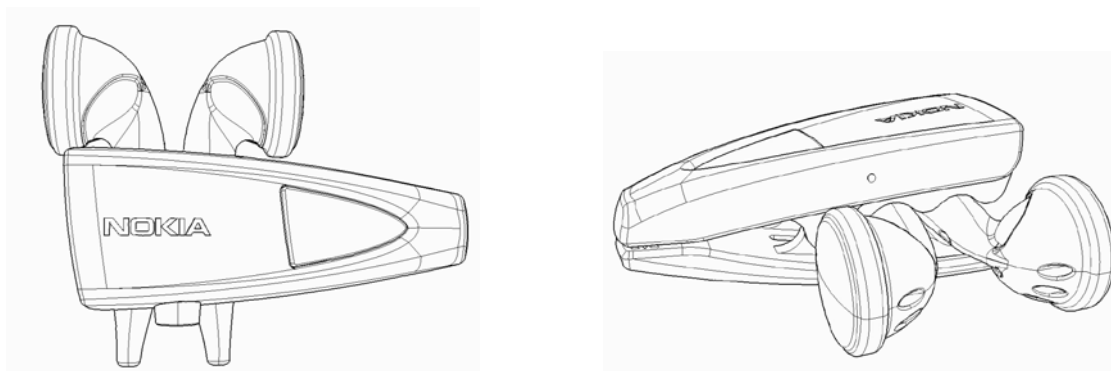
Product code:	0694075
---------------	---------

### Specifications

Weight:	14 g
Length of cable:	1050 ± 50 mm
Operating temperature:	- 25° ... + 55° C

## HDD-1 Dual Headset

Figure 15: View of the HDD-1 Dual Headset



### Product codes

Product code (English type label):	0694088
Product code (Chinese type label):	0694089
Product code (Made by "manufacturer"):	0694066

### Specifications

Weight:	25 g
Length of cable:	1350 mm + 240 mm
Operating temperature:	- 25° ... + 55° C

## HDC-10 Retractable Headset

Figure 16: View of the HDC-10 Retractable Headset



### Product codes

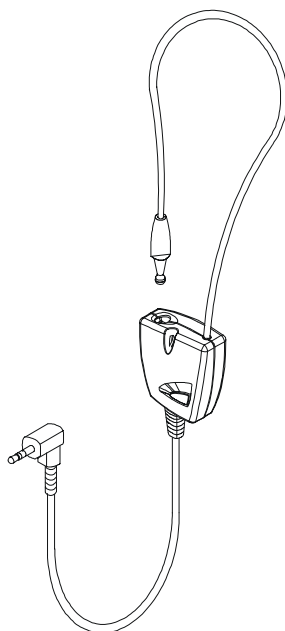
Product code (Eur/Afr and APAC type label):	0694114
---	---------

### Specifications

Dimensions (H x W x D):	72 x 48 x 17mm
Weight:	30 g
Length of cable:	1000 +/- 30 mm (Earpiece/mic to reel unit) 150 +/- 10 mm (Reel unit to phone)
Colour:	
Operating temperature:	- 25° ... + 55° C

## LPS-3 Mobile Inductive Loopset

Figure 17: View of the LPS-3 Mobile Inductive Loopset



### Product codes

Product code:	0630244
---------------	---------

### Specifications

Dimensions:	41 x 36 x 18 mm
Weight:	60 g
Operating temperature:	- 20° ... + 50° C (note: depends on battery)
Color:	Black

## Covers

SKR-307	Art Cover "Butterfly"
SKR-308	Art Cover "Tribal Tiger"
SKH-656	Active Cover "Galaxy"
SKH-657	Active Cover "Jellyfish"
SKH-658	Active Cover "Fireflies"
SKR-309	Glow-In
SKR-310	Glow-In
SKR-311	Reflective Painted
SKR-312	Gaming Cover "White Game"
SKR-313	Gaming Cover "Green Game"